



POWER-OUT ALERT™



Economical power monitoring solution

- Connects to any alarm panel.
- Detect power loss by plugging this into standard outlet.
- 3-8 minute power interruption closes the dry contact.
- • Built in time delay 3-8 minutes to avoid nuisance alarms.

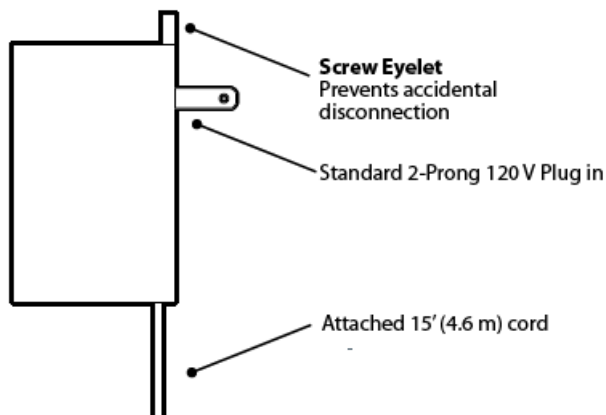
Visit www.winland.com, call 800.635.4269 or email techsupport@winland.com to learn more.

424 North Riverfront Drive, Suite 200 • Mankato, MN • 56001 • 800.635.4269 • www.winland.com



Specifications

Application	Standard 2 blade 120VAC outlet
Contact Rating	500mA @ 30 VAC/VDC
Time Delay	3 to 8 minutes, not adjustable
Operating Range	40° to 100° F (5° to 37° C) Non-condensing environment. Indoor use only.
Weight	9.3 oz. (0.26 kg)
Dimensions	2.25 x 2 x 3" (5.7 x 5.1 x 7.6 cm)
Mounting	Standard eyelet and included mounting screw



Visit www.winland.com, call 800.635.4269 or email info@winland.com to learn more.



Visit www.winland.com, call 800.635.4269 or email techsupport@winland.com to learn more.